

# counters

## DH48J-11

# PRESET COUNTERS

### DH48J-11 preset electronic counter

1:Use Abroad technology,can replace japan OMRON H7CN.

2;Can use preset number Connect or break the circuit

3:DIN 48\*48 size

4:use Large-scale specialized integrated circuit.

5:use Switching Power,high Voltage range,both AC.DC can be used.

6:when counting up to preset,time relay conacts changes.stop counting



### Technical parameters

Power:AC/DC 100-240V.(other voltage can do as clients requirements)

Display:four digital LED display

Preset number:1-9999(\*1,\*10,\*100,choose form panel switch)

Counting signal input:contact signal:time relay, Travel switch, Magnetic switch.

Without contact signal:NPN TYPE proximity switch,photo sensor.

Setting way: panel Installation .

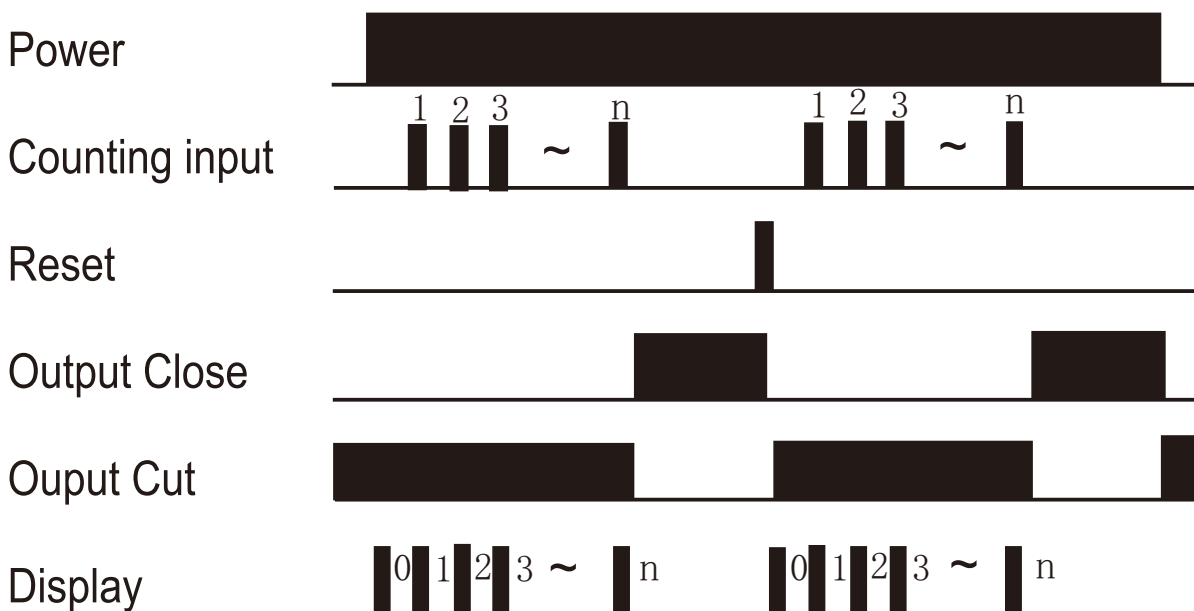
Size:45\*45mm

Maximum count rate:<25meeting/second

Weight:130G

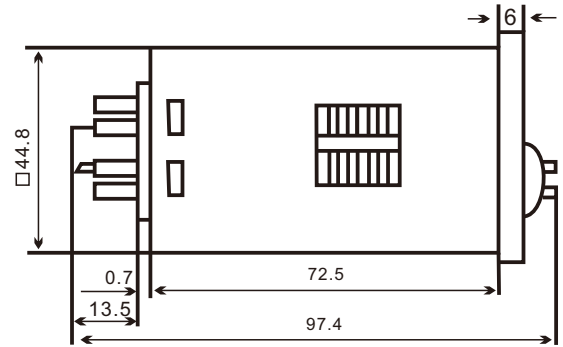
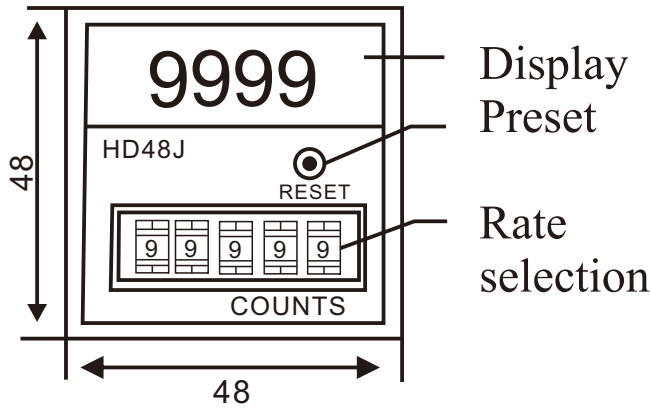
Use height:<2500meter

### Working Process

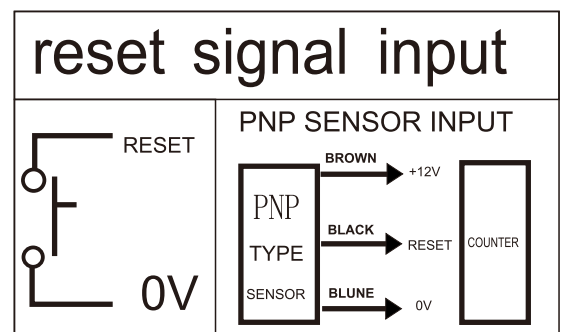
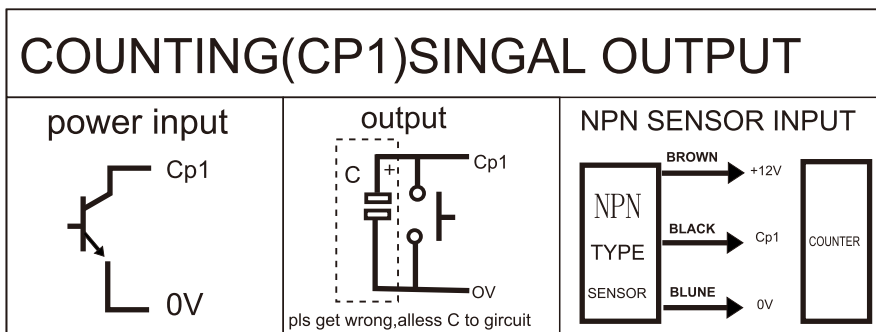
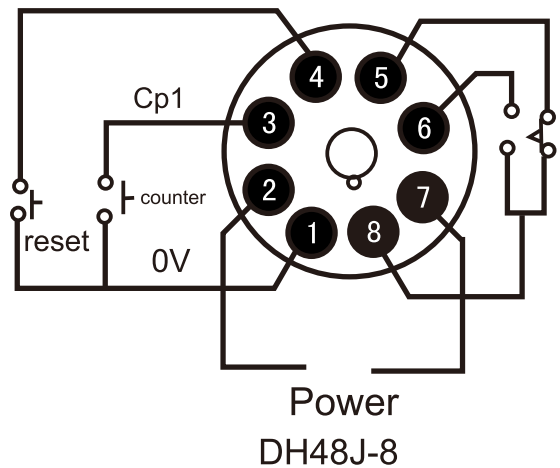
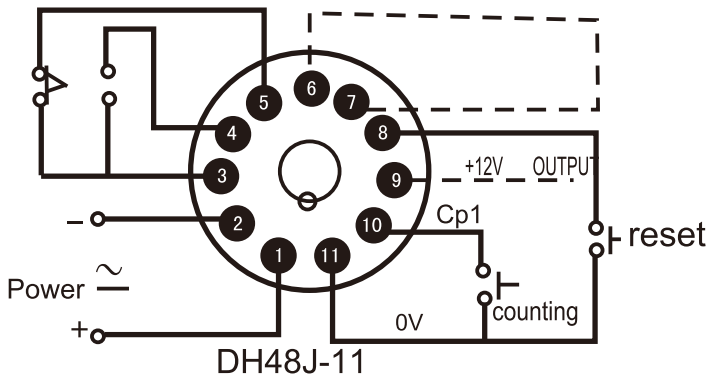


# COUNTERS DH48J

## SIZE



## Wiring Diagram



## use information

- 1: Dc 12v power output can be used as sensor power. but remember the current must <30mA. if >30mA. pls choose other power.
- 2: pls Preset the Rate selection, for example if the rate selection is 10. means input 10 counting singal, the digital display 1.
- 3: if DH48J use NPN sensor, should connect DC 12V power (we suggestion do not use PNP sensor)
- 4: counting and reset wire should use Shield wire, do not use others